

Cooling Tower Improvement Study Using PEPSE

Justin Strupp

Sciencetech, a business unit of
Curtiss-Wright Flow Control



Scott Prokopetz

SaskPower



EPRI Heat Rate Improvement Conference

February 5-7, 2013

Shand Power Station

- Single-Unit Lignite Coal Plant
- Estevan, Saskatchewan, Canada
- Commissioned in 1992
- 305 MW Gross
- B&W Boiler
- Hitachi Steam Turbine



Cooling System

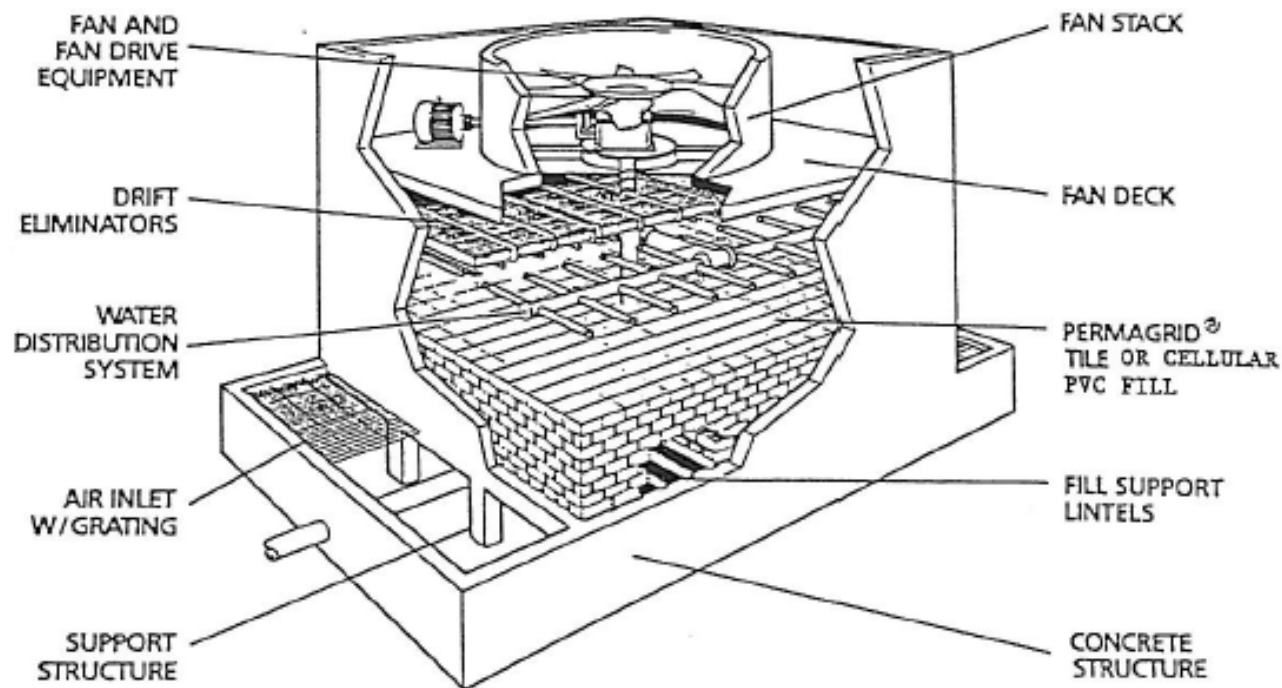


Main Cooling Towers (Original Construction, 1992)

Auxiliary Cooling Towers (Added 2000)

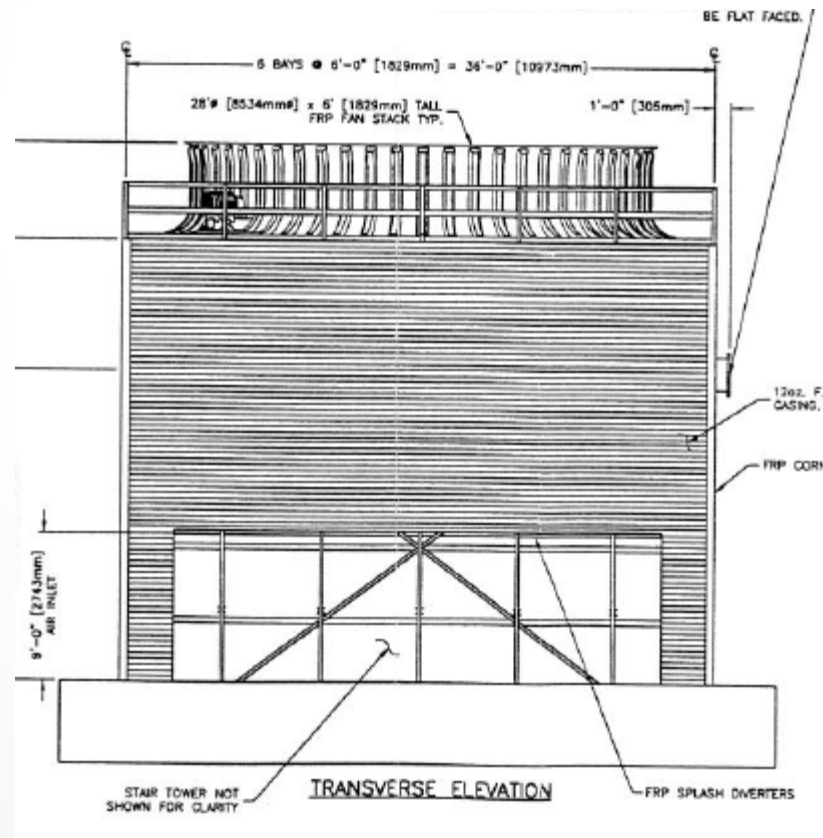
Main Cooling Towers

- OEM – Ceramic Cooling Tower, installed in 1992
- Induced Draft, Counterflow, Clay Tile Fill



Auxiliary Cooling Towers

- OEM – Psychrometric Systems Inc, installed 2000
- Induced Draft, Counterflow, PVC Fill



Problem

- Since construction, Shand Power Station has had historically higher than design condenser backpressure
- Auxiliary towers were added in 2000 but the problem remained
- Causes
 - Cooling Water (CW) flow slightly lower than design
 - 92 – 95% design flow to condenser
 - Cooling Towers performing lower than design
 - 70 – 80% capability
 - Condenser cleanliness slightly lower than design
 - average 80% (design 90%)

Effects of Problem

- **Forced Plant De-rates**

- In the summer, back pressure increases to a point near the maximum allowable for the turbine
- MW output must be lowered to stay within the back pressure limits of the turbine
- De-rates cost \$800,000 per year in replacement energy costs

- **Increased Heat Rate**

- As back pressure increases, the boiler must fire harder
- Heat rate effect has not been quantified

Possible Improvement Areas

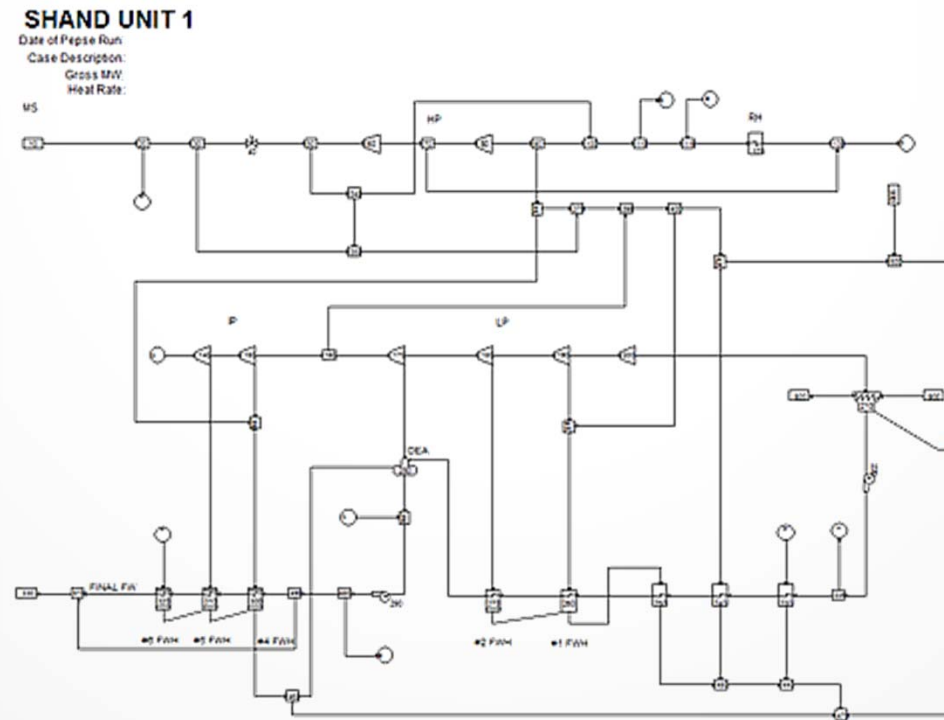
- Increase cooling water flow
 - Increase air flow to the main cooling towers
 - Additional cooling tower cells
 - Upgrade water distribution system in main towers
 - Upgrade fill in main towers
-
- First three can be modeled with PEPSE

Modeling of Possible Improvement Areas

- CW Flow
 - 15% under design flow
 - 30% over design flow
- Main Cooling Tower Air Flow
 - 15% under design flow
 - 25% over design flow
- Adding cooling tower cells
 - One cell to auxiliary cooling tower
 - Two cells to auxiliary cooling tower
 - One cell to main cooling tower
 - Two cells to main cooling tower

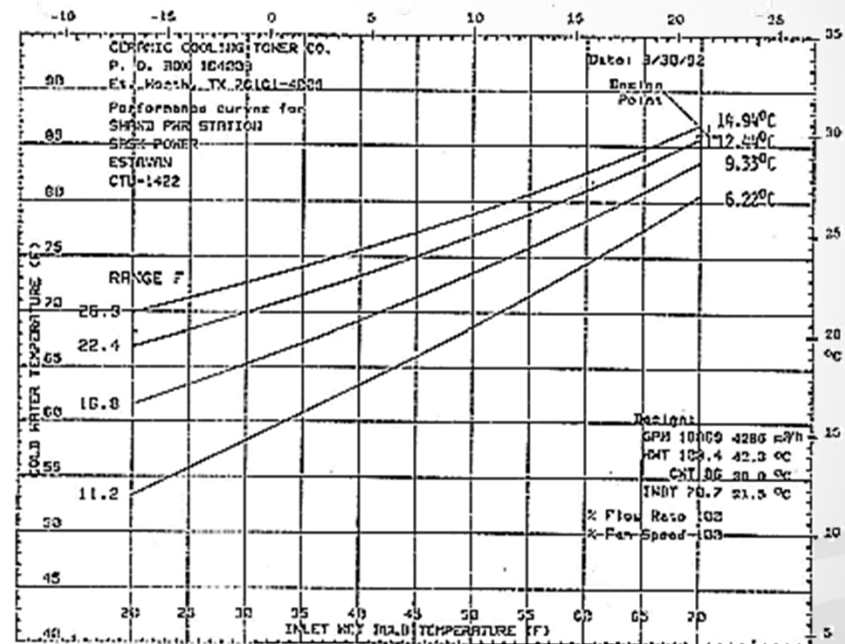
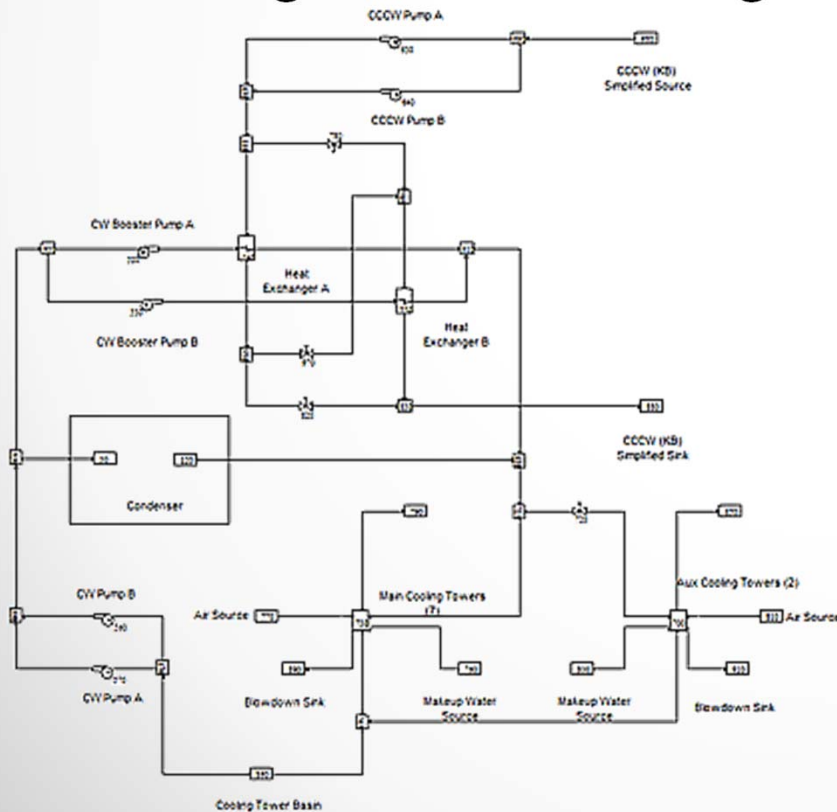
Turbine Cycle Modeling

- Turbine Cycle
 - Heat Balance Tuned
 - Plant Data
 - Design mode Condenser



Cooling Tower Modeling

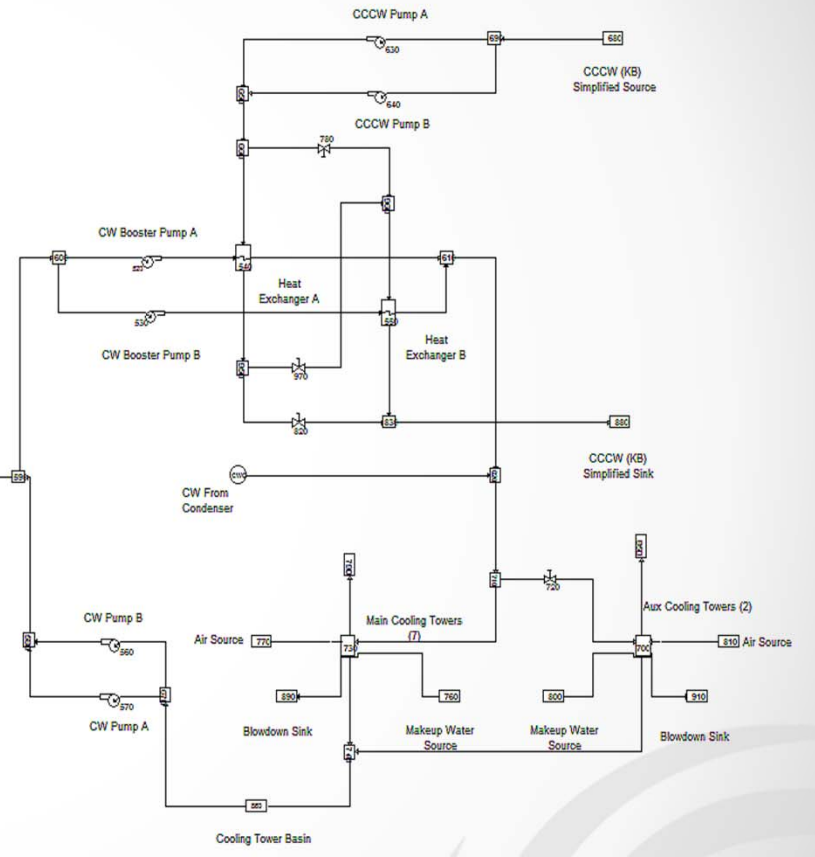
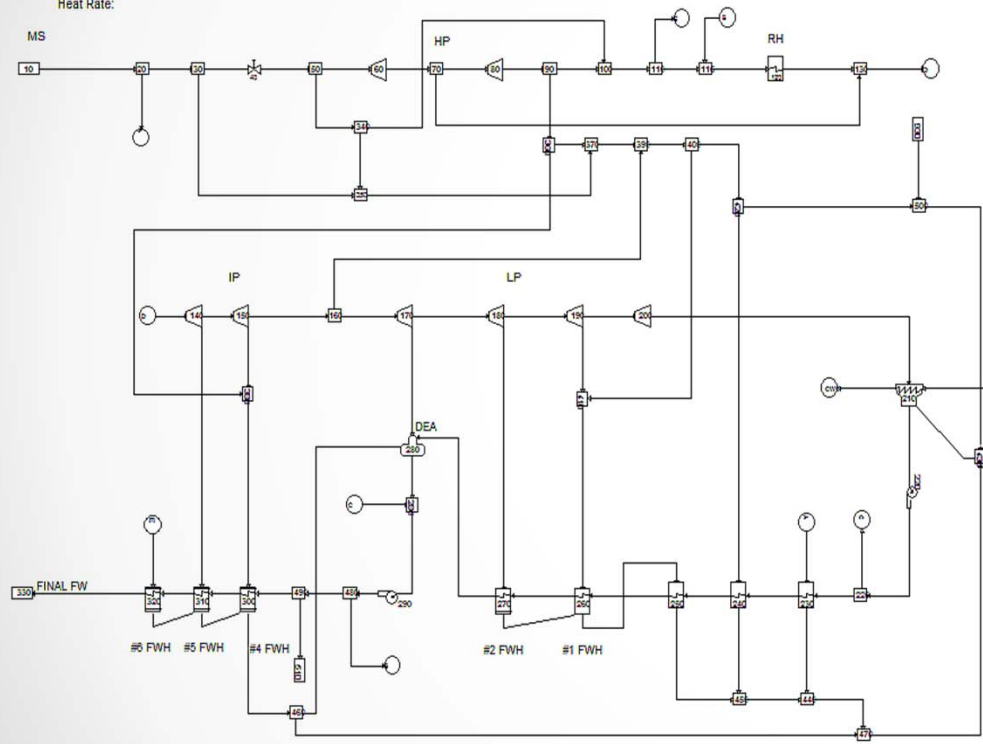
- Cooling Towers – Main and Auxiliary
- Cooling Tower Performance Curves
- Cooling Tower Tuning



Merged Model

SHAND UNIT 1

Date of Pepse Run:
Case Description:
Gross MW:
Heat Rate:



Turbine Cycle Assumptions

- MCR Main Steam and Reheat Conditions
- Feedwater Heater TTD and DCA Constant
- Other Conditions
- Design Condenser Cleanliness Factor
- De-rate Conditions
 - LP Turbine Exhaust above 50°C
 - Main steam flow reduced

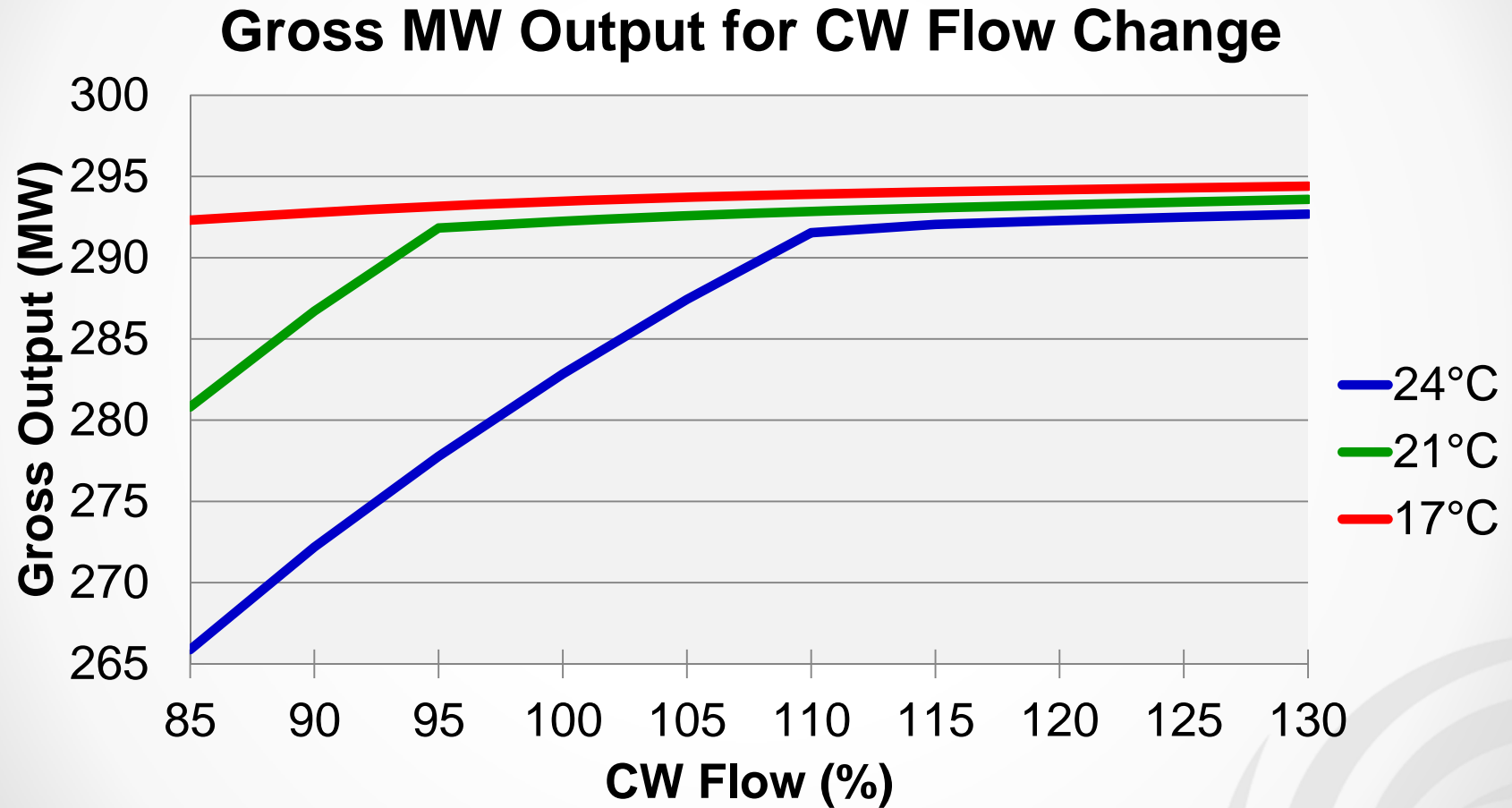
Cooling Tower Assumptions

- Five wet-bulb temperatures – 24°C, 23°C, 21°C, 18°C, and 17°C
 - 50% Humidity
 - 94.5 kPa Pressure
- Cooling Tower Conditions
- CCCW System

CW Flow Calculations

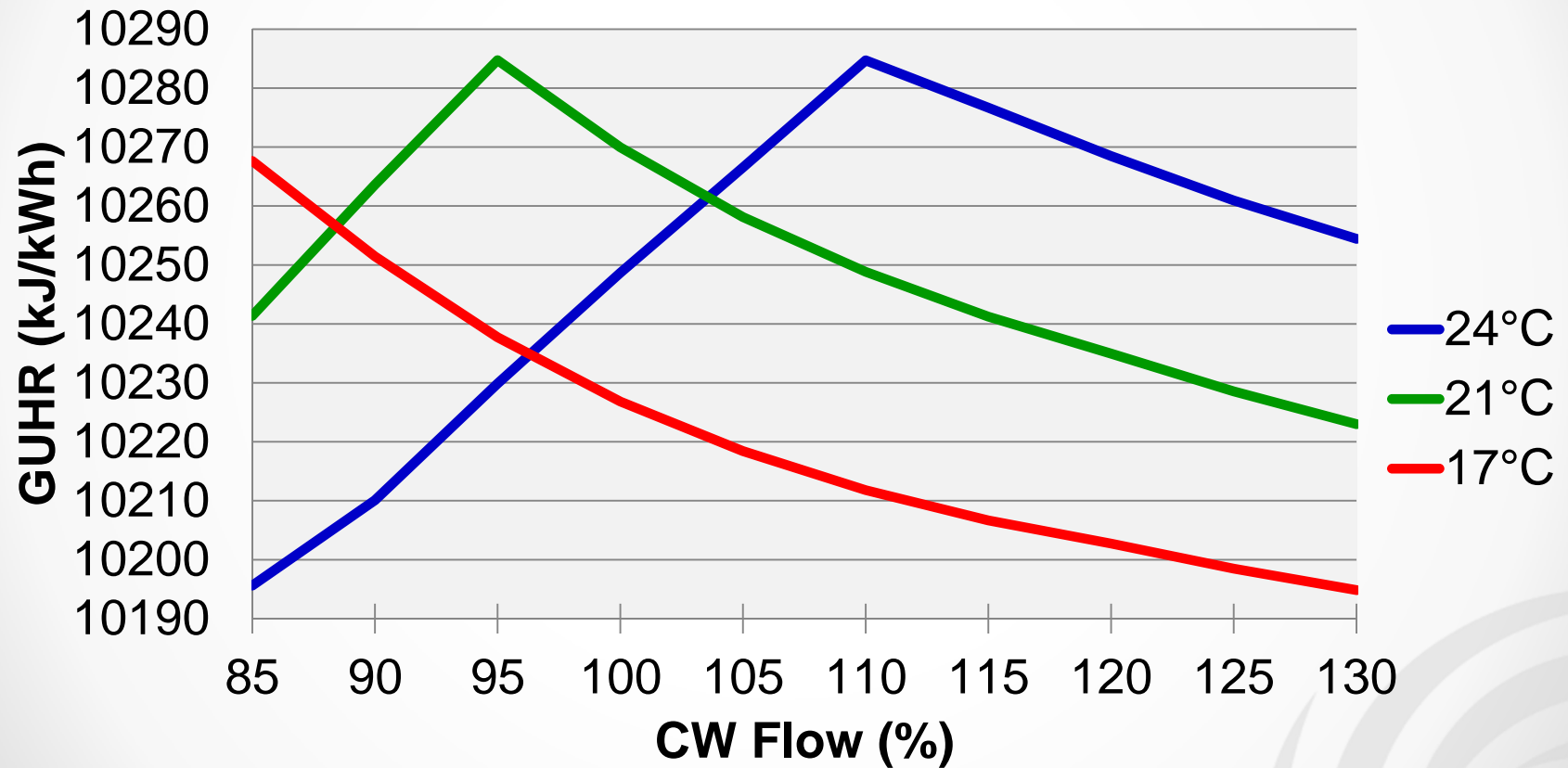
- Change the CW flow from 85% to 130% of design CW Flow

CW Flow Results - MW



CW Flow Results - HR

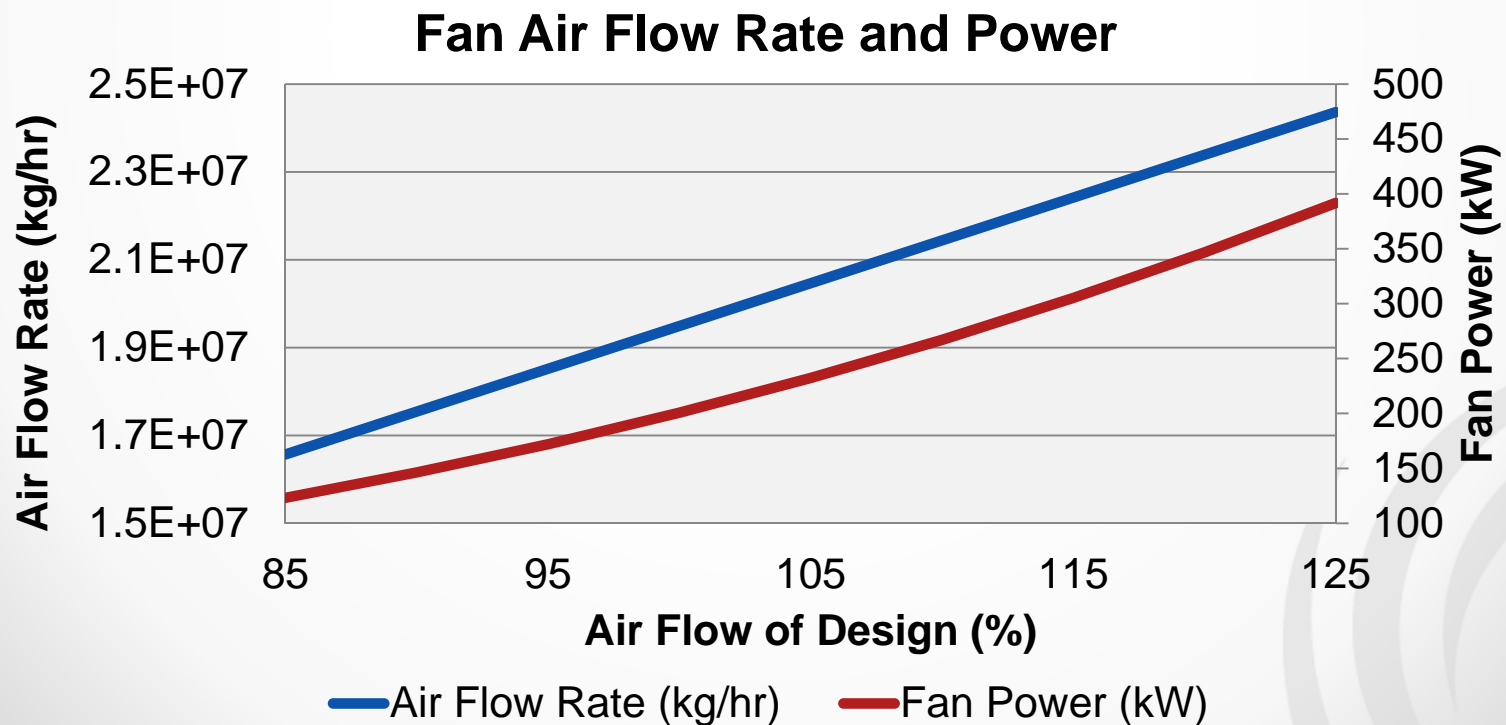
Gross Unit HR for CW Flow Change



Fan Air Flow Calculations

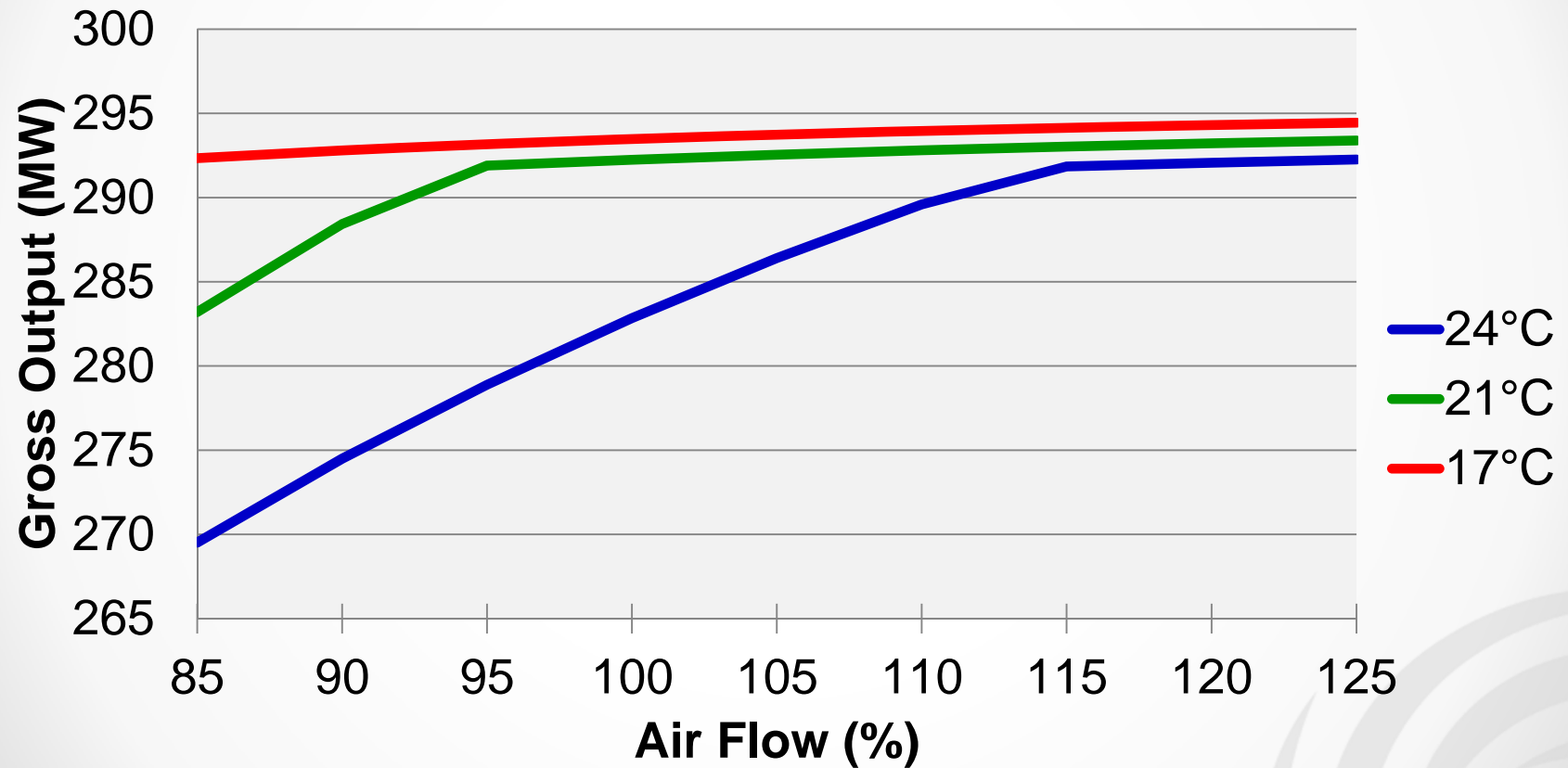
- Main Cooling Tower Only

- Fan Affinity Law
$$\frac{Fan\ Power_{Load}}{Fan\ Power_{Design}} = \left(\frac{Fan\ Air\ Flow_{Load}}{Fan\ Air\ Flow_{Design}} \right)^3$$



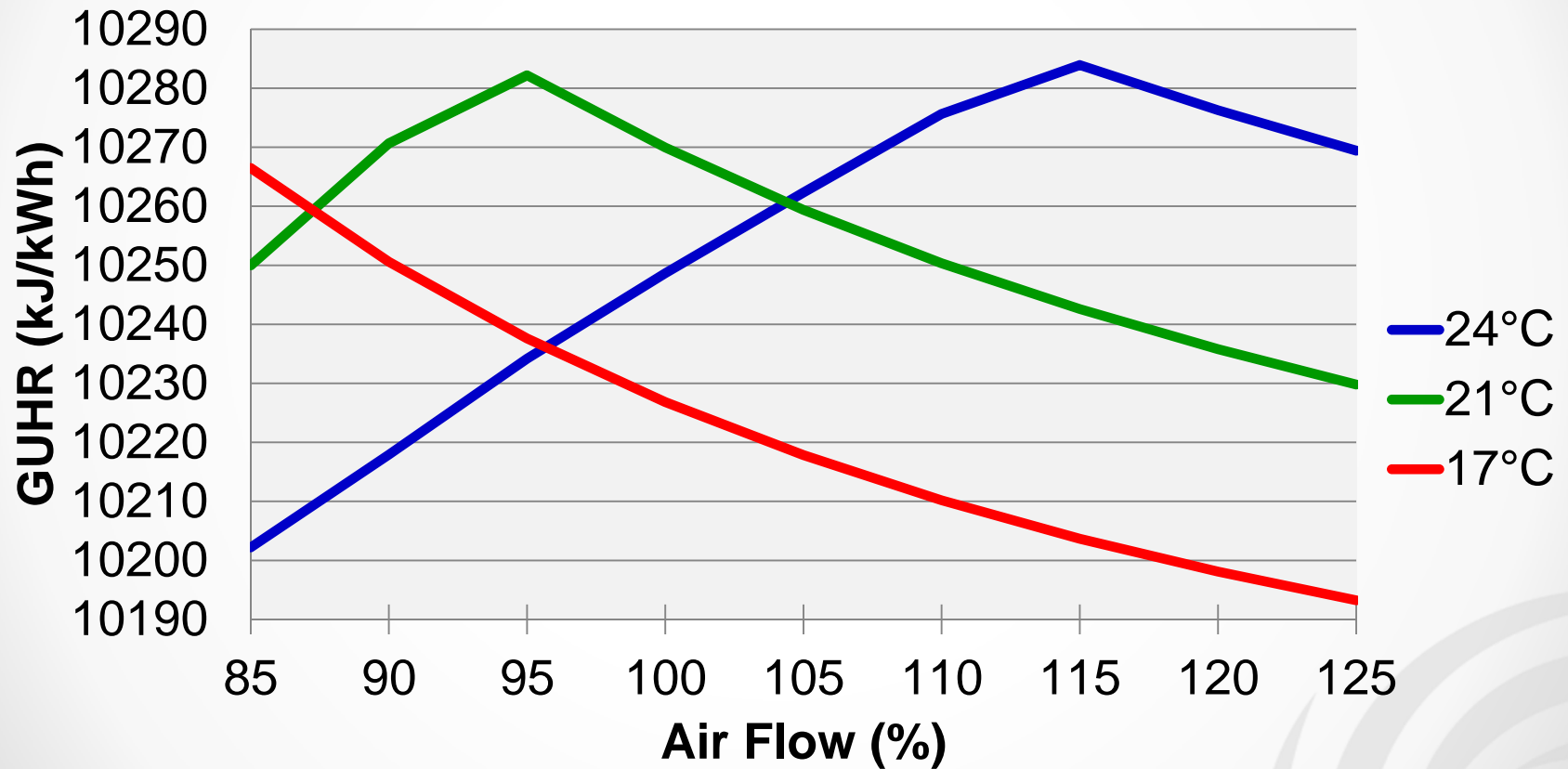
Fan Air Flow Results - MW

Gross MW Output for Air Flow Change



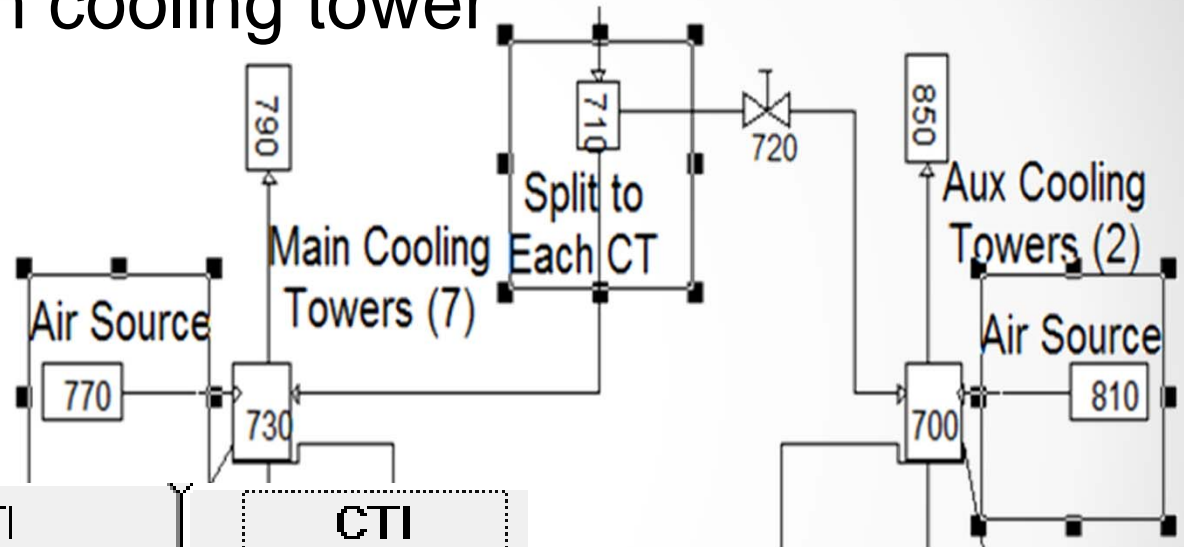
Fan Air Flow Results - HR

Gross Unit HR for Air Flow Change



Additional Cells Calculations

- Flow Split to each cooling tower
- Number of Cells
- Source Air Flow
- CTI CW Flows



Minimum Data	CTI (Optional)	CTI (Required)
--------------	----------------	----------------

For each variable below, the table values must be in acend

Number of circ. water

flow rates:	3	↓
TCTWCW1 =	7291.6	
TCTWCW2 =	8333.3	
TCTWCW3 =	9725.0	

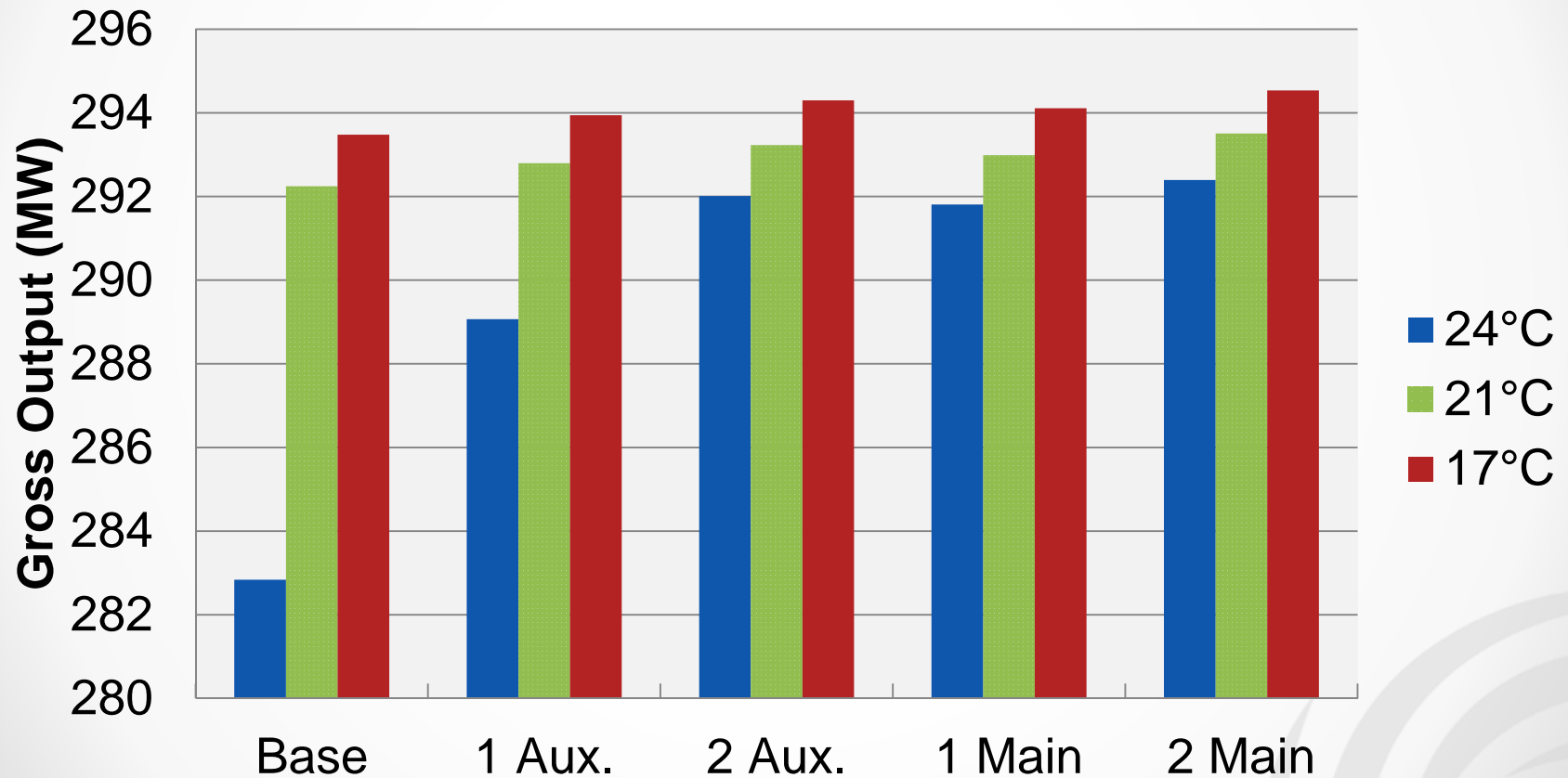
Flow rate units

gal/min (L/s)

lbm/hr (kg/s)

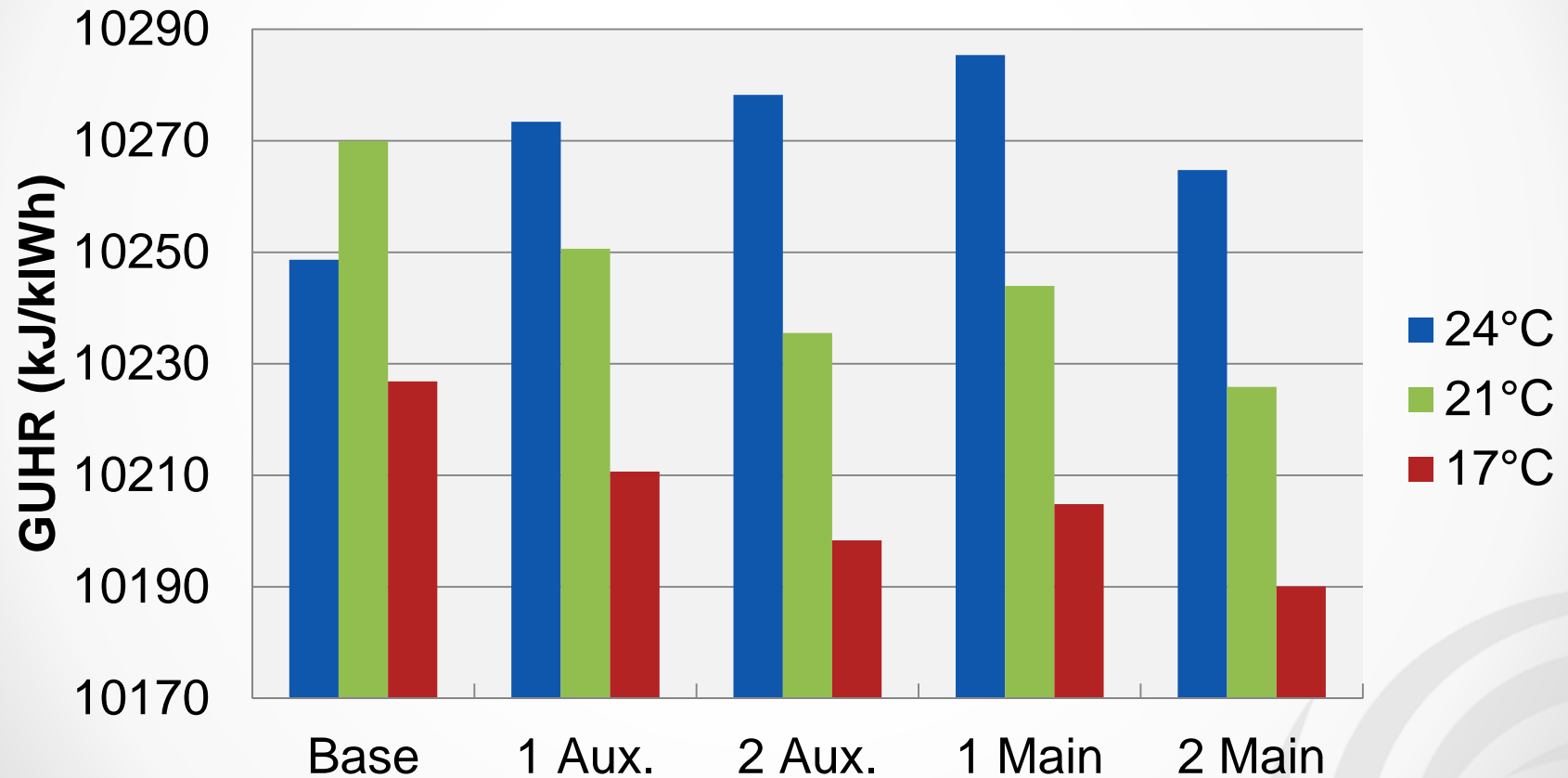
Adding Cooling Tower Cells Results - MW

Gross MW Output for Adding Cells



Adding Cooling Tower Cells Results - HR


Gross Unit HR for Adding Cells



The use of the PEPSE Data

- Review which options were worth exploring further:
 - Feasibility of implementation
 - Cost of implementation
 - Effects on other parts of the system
- Provide benefits found to the second part of the study:
 - Potential benefits
 - Cost justification

Conclusion

- Study to choose best improvement option(s) is still ongoing
 - So far, indications are that a distribution system / fill upgrade in the main towers will offer the greatest improvement
 - Study will provide which option or combination of options is best suited to improve the back pressure issue
- 

Questions?

